

HEALTHCARE SYMPHONIE



SYMPHONIE

Specifications

Bathroom in composite materials

- Glass fibre-reinforced resin "G.R.P."
- Interior surface : sanitary quality gelcoat
- Colour to choose from shade card
- Embossed non-slip floor
- Shower tray built into the floor
- Fire-retardant resin M2/F2

Entirely fitted out

- Sliding Door, door frame, taps, clothes hooks, mirror, moulded soap-dish, shower curtain, towel holder, basin, toilet roll holder, hand grips, wall-hung toilet pan with cover, moulded storage recesses with moulded shelf, concealed 6/9 litre flush fitted cistern, washbasin/shower valves, light fitting,...

Adapted to a specific environment

- 900 mm sliding door with no sill or necessity for recessing, wheelchair accessibility (150 cm turning space), hand holds to help in standing up and an attendant call button

Other equipment available subject to engineering approval

Electrical installation conforms to regulations (NF C15 100)

- All metal parts electrically bounded together
- Copper pipework
- Access to interior connections through a maintenance trap

Can be delivered assembled or pre-assembled

- In 10 sections to pass through a standard 60 cm door opening

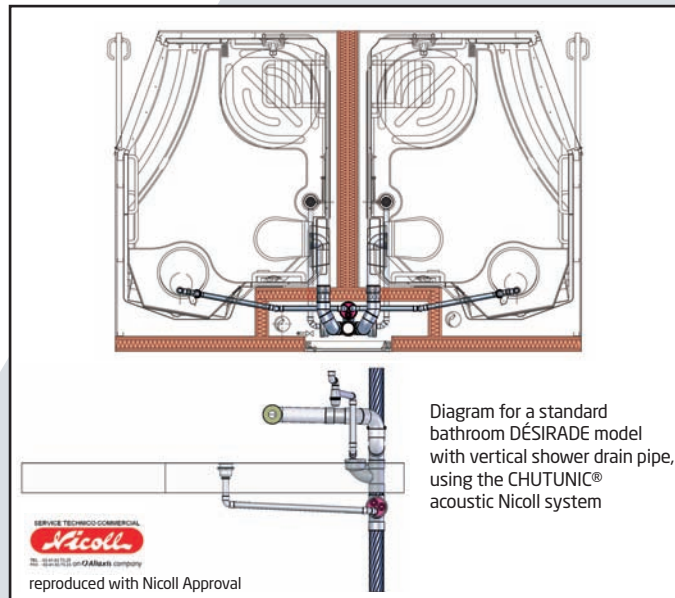
Ready to take any type of interior cladding

(Plasterboard, wood...).

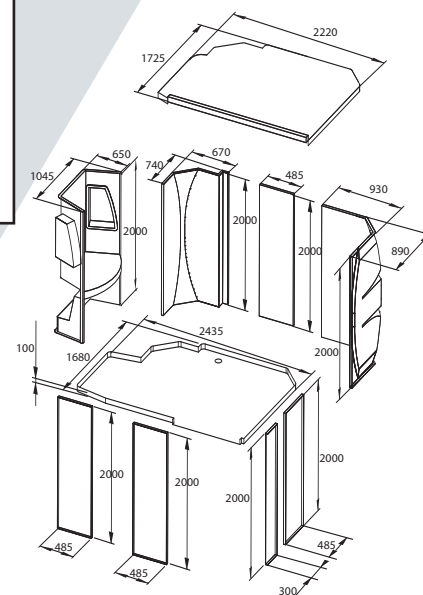
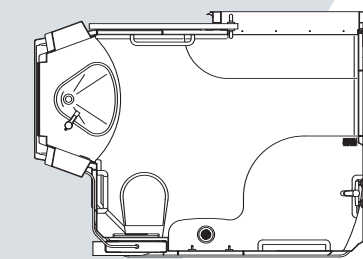
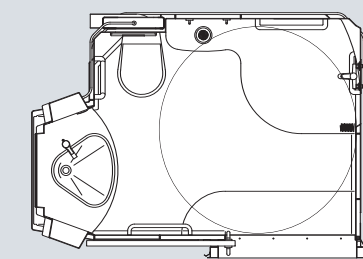
Options

- Hand grip
- Shaver point with flap cover
- Timed flow control washbasin mixer
- Timed flow control or Thermostatic shower mixer
- Shower seat
- 1 additional clothes hook
- Bedpan wash
- Other options on demand

Altor Industrie / Parc industriel de Tabari / BP 79417 / 44194 Clisson / France / Phone: +33 (0)2 40 36 16 67 / Fax: +33 (0)2 40 36 16 78
E-mail: altor@altor-industrie.com / Web: www.altor-industrie.com



- Average time to install for two people:
- 1H30 for a new site
- 6 hours for renovation job
- Area required for the transport of one unit: 3 m floor space



Guerrier communication: 02 51 72 03 63. Photos: Studio Ephery & sens. Altor reserves the right to alter their documents at any time without prior notice