

# OASIS



# OASIS

## Specifications

### Bathroom in composite materials

- Glass fibre-reinforced resin "G.R.P."
- Interior surface : sanitary quality gelcoat
- Colour to choose from shade card
- Embossed non-slip floor
- Shower tray built into the floor
- Fire-retardant resin M2/F2

### Entirely fitted out

- Door, door frame, taps, clothes hook, mirror, shower curtain, light fitting, shelf in laminated, soap-dish, towel holder, basin, toilet roll holder, wall-hung toilet pan with cover, concealed 6/9 litre flush fitted cistern, washbasin/shower valves...

### Other equipment available subject to engineering approval

### Electrical installation conforms to regulations (NF C15 100)

- All metal parts electrically bounded together
- Copper pipework
- Access to interior connections through a maintenance trap

### Can be delivered assembled or pre-assembled

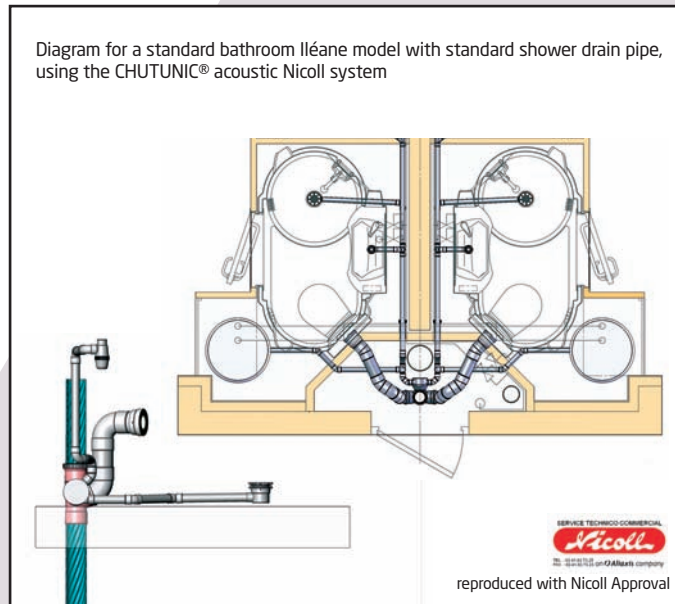
- In 5 sections to pass through a standard 60 cm door opening

### Ready to take any type of interior cladding

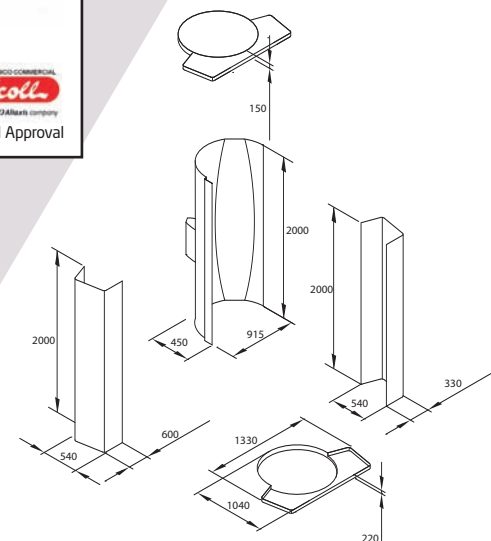
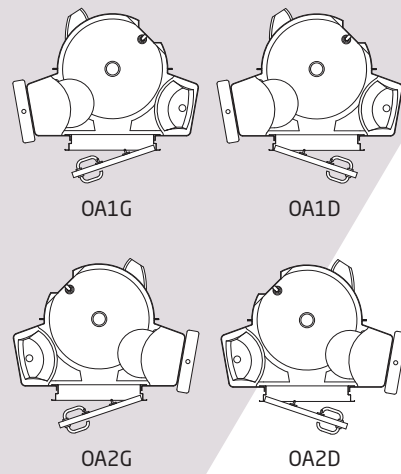
(Plasterboard, wood...).

### Options

- Shaver point with flap cover
- Timed flow control washbasin mixer
- Timed flow control or thermostatic shower mixer



- Average time to install for two people:  
- 1H30 for a new site  
- 6 hours for renovation job
- Area required for the transport of one unit: 1 m floor space



Guerrier communication: 02 51 72 03 63. Photos: Studio Epherv & sens. Altor reserves the right to alter their documents at any time without prior notice