

HYDR A



HYDRARA

Specifications

Bathroom in composite materials

- Glass fibre-reinforced resin "G.R.P."
- Interior surface : sanitary quality gelcoat
- Colour to choose from shade card
- Embossed non-slip floor
- Shower tray built into the floor
- Fire-retardant resin M2/F2

Entirely fitted out

- Door, door frame, taps, clothes hook, moulded soap-dish, shower curtain, toilet roll holder, moulded shelves, moulded seat, washbasin/shower valves, light fitting...

Other equipment available subject to engineering approval

Electrical installation conforms to regulations (NF C15 100)

- All metal parts electrically bounded together
- Copper pipework
- Access to interior connections through a maintenance trap

Can be delivered assembled or pre-assembled

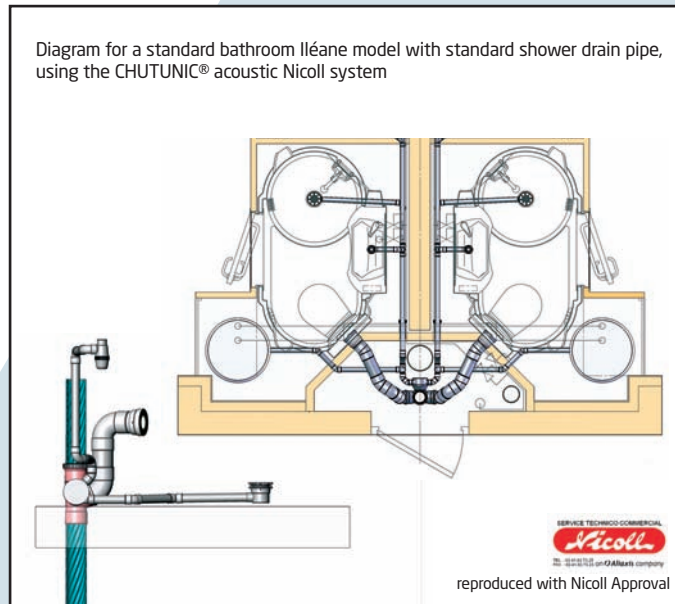
- In 5 sections to pass through a standard 60 cm door opening

Ready to take any type of interior cladding

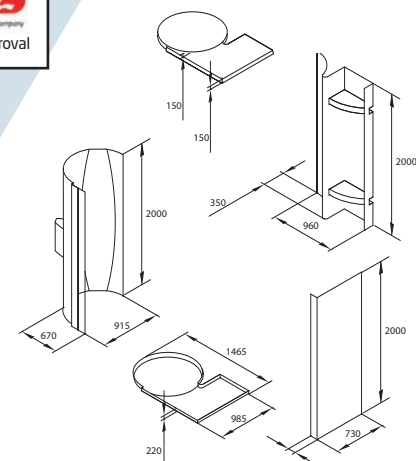
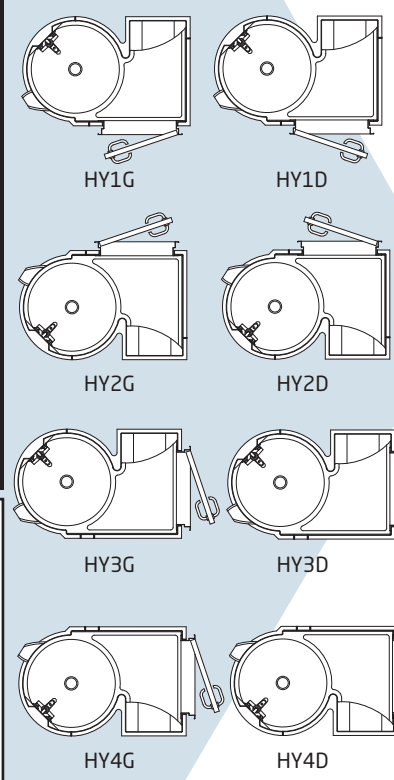
(Plasterboard, wood...).

Options

- Additional clothes hook
- Thermostatic shower mixer
- Timed flow control shower mixer



- Average time to install for two people:
- 1H30 for a new site
- 6 hours for renovation job
- Area required for the transport of one unit: 1 m floor space



Guerrier communication: 02 51 72 03 63. Photos: Studio Epherv & sens. Altor reserves the right to alter their documents at any time without prior notice