

FLORÉANE



FLORÉANE

Specifications

Bathroom in composite materials

- Glass fibre-reinforced resin "G.R.P."
- Interior surface : sanitary quality gelcoat
- Colour to choose from shade card
- Embossed non-slip floor
- Shower tray built into the floor
- Fire-retardant resin M2/F2

Entirely fitted out

- Door, door frame, taps, clothes hook, mirror, moulded soap-dish, shower curtain, towel holder, basin, toilet roll holder, moulded storage recess for extra toilet roll, wall-hung toilet pan with cover, concealed 6/9 litre flush fitted cistern, washbasin/shower valves, light fitting,...

Other equipment available subject to engineering approval

Electrical installation conforms to regulations (NF C15 100)

- All metal parts electrically bounded together
- Copper pipework
- Access to interior connections through a maintenance trap

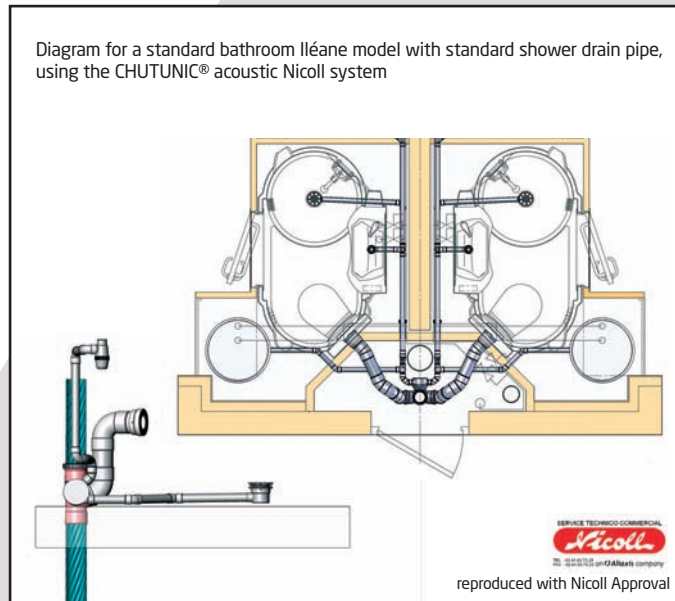
Can be delivered assembled or pre-assembled

- In 5 sections to pass through a standard 60 cm door opening

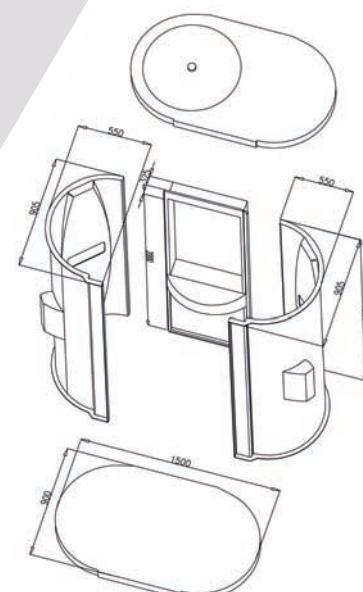
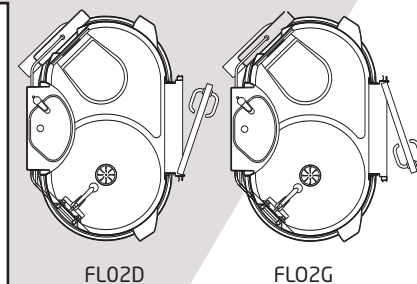
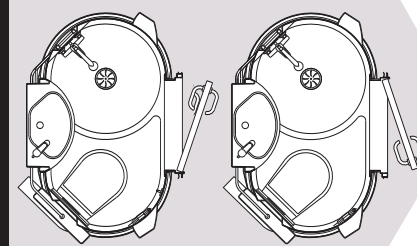
Ready to take any type of interior cladding (Plasterboard, wood..)

Options

- Additional clothes hook
- Shaver point with flap cover
- Timed flow control washbasin mixer
- Timed flow control or thermostatic shower mixer
- Hand grip
- Attendant call push button
- Premade box for the nurse call installation



- Average time to install for two people:
 - 1H30 for a new site
 - 6 hours for renovation job
- Area required for the transport of one unit: 1 m floor space



Guerrier communication: 02 51 72 03 63. Photos: Studio Epherv & sens. Altor reserves the right to alter their documents at any time without prior notice